



DANISH DESIGN AND QUALITY

ALL HANDMADE IN DENMARK

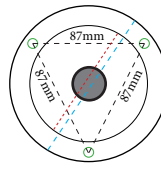


DATA SHEET PELICAN SHORT

Lamp Name:	<i>Pelican Short</i>
Design:	<i>Sune Jehrbo</i>
Material:	<i>Aluminium</i>
Weight:	<i>0.90 kg</i>
Cord:	<i>Textile wire</i>
Bulb socket:	<i>Porcelain-E27</i>
Watt:	<i>Max. 60W</i>
Mounting:	<i>Wall</i>
Environment:	<i>Indoor</i>
Voltage:	<i>220-230 V</i>
Surface:	<i>UV Resistant wetpaint</i>
Dimmable:	<i>Yes</i>
Certification:	CE - CLASS II

Wall mount base, back

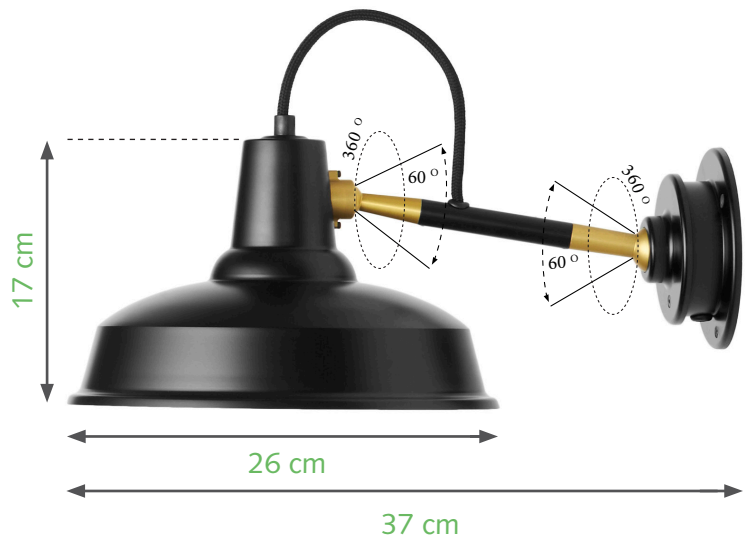
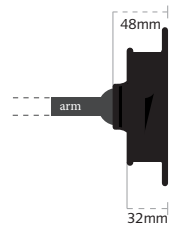
○ holes for screw mounting



Outer diameter 120mm

Inner diameter 76mm

Wall mount base, side



Colour Range: see www.eleanorhome.com



Pelican is equipped with a tightening mechanism that easily allows to either loosen or tighten the ball joints on the wall or shade sides. with the use of a hex key.

Please Note!!

For installation: USE ONLY AUTHORIZED ELECTRICIAN!

Installation: BRUG KUN AUTORISERET INSTALLATØR!

Installasjon: KUN AV AUTORISERTE FAGFOLK!

Installation: ANVÄND ENDAST AUKTORISERAD ELISTALLATÖR!

Montage: NUR DURCH EINEN FACHHÄNDLER!

Installation: UTILISER UNIQUEMENT UN ÉLECTRICIEN INSTALLATEUR AGRÉÉ!

Eleanor Home ApS

Hans Edvard Teglers Vej 5,2 floor 2920 Charlottenlund Denmark

Tel +45 7022 8085 VAT: 31 77 22 14 www.eleanorhome.com info@eleanorhome.dk