

DANISH DESIGN AND QUALITY

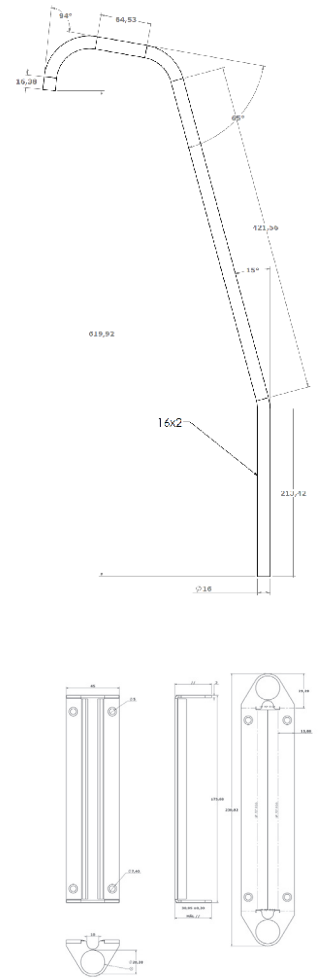


ALL HANDMADE IN DENMARK



DATA SHEET CARTER

Lamp Name:	<i>Carter</i>
Design:	<i>Sune Jehrbo</i>
Material:	<i>Aluminium/chrome</i>
Weight:	<i>0.80 kg</i>
Cord:	<i>Textile wire</i>
Bulb socket:	<i>Porcelain-E27</i>
Watt:	<i>Max. 60W</i>
Type:	<i>Wall mounted lamp</i>
Environment:	<i>Indoor</i>
Voltage:	<i>220-230 V</i>
Surface:	<i>UV Resistant wetpaint</i>
Dimmable:	<i>Yes</i>
Click switch:	<i>Yes</i>
Certification:	CE - CLASS II



Colour Range: see www.eleanorhome.com



Please Note!!

For installation: USE ONLY AUTHORIZED ELECTRICIAN!

Installation: BRUG KUN AUTORISERET INSTALLATØR!

Installasjon: KUN AV AUTORISERTE FAGFOLK!

Installation: ANVÄND ENDAST AUKTORISERAD ELINSTALLATÖR!

Montage: NUR DURCH EINEN FACHHÄNDLER!

Installation: UTILISER UNIQUEMENT UN ÉLECTRICIEN INSTALLATEUR AGRÉÉ!

Eleanor Home ApS

Hans Edvard Teglers Vej 5,2 floor 2920 Charlottenlund Denmark

Tel +45 7022 8085 VAT: 31 77 22 14 www.eleanorhome.com info@eleanorhome.dk